



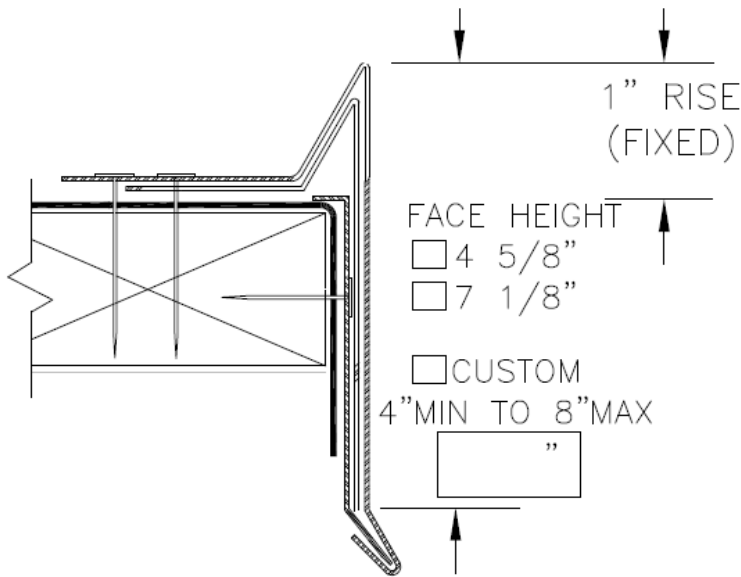
# UNA-Edge GS GravelStop

<input type="checkbox"/> <b>QUOTE</b>	<input type="checkbox"/> <b>ORDER</b>
---------------------------------------	---------------------------------------

JOB NAME: _____	DATE: _____
PREPARED BY: _____	SHIP TO: _____
COMPANY: _____	_____
PHONE NUMBER: _____	_____
FAX NUMBER: _____	_____
P.O. NUMBER: _____	_____

X

\_\_\_\_\_  
*Order Acknowledgment Signature*



### MATERIAL OPTIONS

- 24 ga G-90 steel (see finishes below)
- 22 ga G-90 steel (see finishes below)
- 24 ga Acrylume
- 22 ga Acrylume
- .040" aluminum (see finishes below)
- .050" aluminum (see finishes below)

### FINISH OPTIONS

<u>Steel</u>	<u>Aluminum</u>
<input type="checkbox"/> PVDF paint Color: _____	<input type="checkbox"/> PVDF paint Color: _____
	<input type="checkbox"/> Anodized Color: _____

### QUANTITY

\_\_\_\_\_ linear feet (to be supplied in 10' lengths)

**UNA-Edge is tested per the ANSI/SPRI ES-1 standard**

### PRICE

- To be estimated
- Already estimated at \$\_\_\_\_\_ / linear foot

**RETURN THIS FORM TO YOUR FIRESTONE SALES REPRESENTATIVE - MWA**  
 Fax: 989-496-2365 or solutions@mwacrs.com

### NOTES

---



---



---